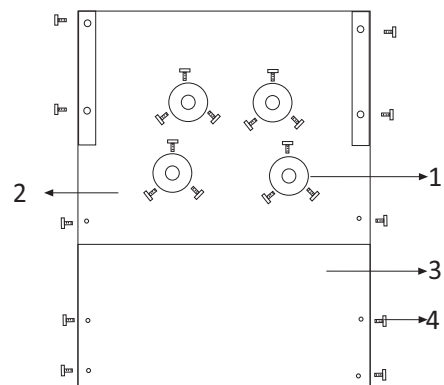
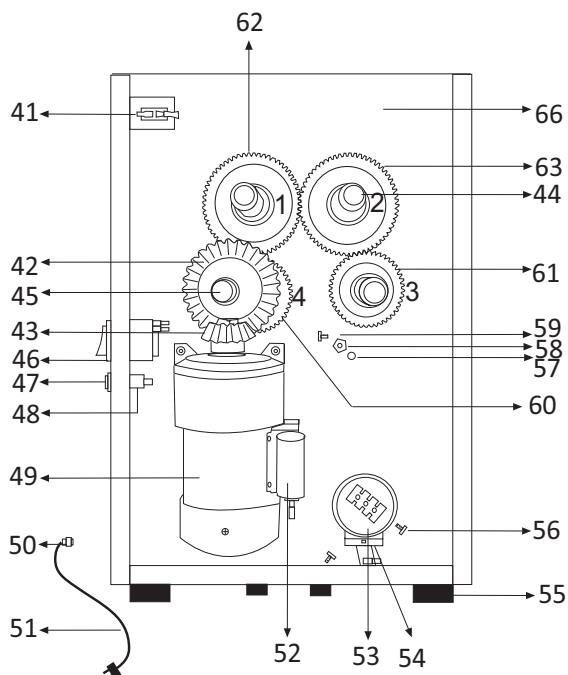
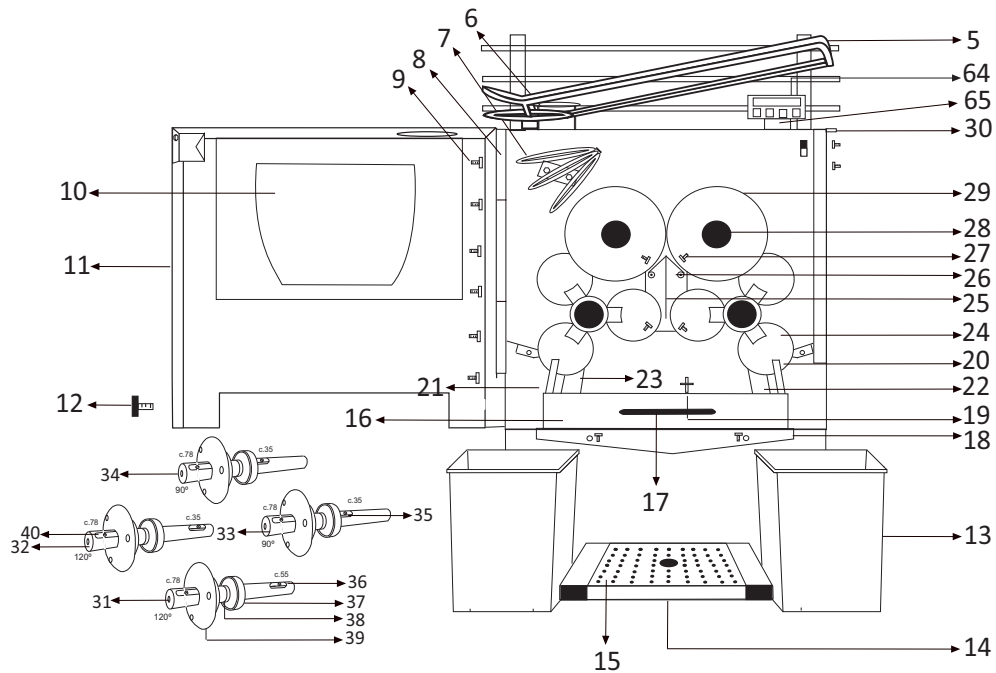


Despiece - Diagram



Ref.	Nº	Repuesto	Spare Part
f50c-001	1	Casquillo negro	Black spacer
f50c-002	2	Tapa trasera superior	Top case black
f50c-003	3	Tapa trasera inferior	Under case back
f50c-004	4	Tornillo M5*10	Screw M5*10
f50c-005	5	Cesta de almacenaje 4kg	Storage basket 4kg
f50c-005g		Cesta de almacenaje 10 kg	Storage basket 10 kg
f50c-006	6	Rampa C	Ramp C
f50c-007	7	Rampa B	Ramp B
f50c-008	8	Visagra	Hinge
f50c-009	9	Tornillo M4*10	Screw M4*10
f50c-010	10	Cristal puerta	Door glass
f50c-011	11	Carcasa frontal	Front cover
f50c-012	12	Tornillo negro	Black screw
f50c-013	13	Cubo de plástico	Plastic cube
f50c-013i		Cubo de inox	Inox cube
f50c-014	14	Bandeja posavasos	Tray for glasses
f50c-015	15	Rejilla posavasos	Grating for glasses
f50c-016	16	Filtro	Filter
f50c-017	17	Tirador del filtro	Filter shooter
f50c-018	18	Embudo de filtración	Filter funnel
f50c-019	19	Pitón M4	Bottom M4
f50c-020	20	Quitacáscaras D	Peel extractor R
f50c-021	21	Quitacáscaras I	Peel extractor L
f50c-022	22	Soporte quitacáscaras D	Support extractor R
f50c-023	23	Soporte quitacáscaras I	Support extractor I
f50c-024	24	Bola	Squeezer ball
f50c-025	25	Soporte cuchilla	Support cutting blade
f50c-026	26	Cuchilla	Cutting blade
f50c-027	27	Tornillo M5*10	Screw M5*10
f50c-028	28	Tornillo amarillo	Yellow screw
f50c-029	29	Hueco	Hollow item
f50c-030	30	Soporte carcasa	Support front cover
f50c-031	31	Eje exprimidor 4	Squeezer shaft 4
f50c-032	32	Eje exprimidor 3	Squeezer shaft 3
f50c-033	33	Eje exprimidor 1	Squeezer shaft 1
f50c-034	34	Eje exprimidor 2	Squeezer shaft 2
f50c-035	35	Chaveta 35'	Peg 35'
f50c-036	36	Chaveta 55'	Peg 55'
f50c-037	37	Cojinete	Bearing of squeezer shaft
f50c-038	38	Goma tórica	O-ring seal
f50c-039	39	Casquillo amarillo	Yellow spacer

Ref.	Nº	Repuesto	Spare Part
f50c-040	40	Chaveta 78'	Peg 78'
f50c-041	41	Interruptor de seguridad	Security switch
f50c-042	42	Engranaje cónico 29	Conical gear 29
f50c-043	43	Engranaje cónico 14	Conical gear 14
f50c-044	44	Separador largo	Separator large
f50c-045	45	Separador corto	Separator short
f50c-046	46	Interruptor	Switch
f50c-047	47	Portafusible	Fuse holder
f50c-048	48	Fusible	Fuse
f50c-049	49	Motor	Motor
f50c-050	50	Cubierta cable de red	Network cable cover
f50c-051	51	Cable de red	Network cable cover
f50c-052	52	Condensador motor	Motor capacitor
f50c-053	53	Caja de conexiones	Junction box
f50c-054	54	Soporte caja de conexiones	Support junction box
f50c-055	55	Pata	Leg
f50c-056	56	Tornillo M5*10	Screw M5*10
f50c-057	57	Arandela M8	Washer M8
f50c-058	58	Tuerca M8	Nut M8
f50c-059	59	Tornillo M8*25	Screw M8*25
f50c-060	60	Engranaje dentado 45-4	Tooth gearing 45-4
f50c-061	61	Engranaje dentado 45-3	Tooth gearing 45-3
f50c-022	62	Engranaje dentado 60-1	Tooth gearing 60-1
f50c-063	63	Engranaje dentado 60-2	Tooth gearing 60-2
f50c-064	64	Contador	Counter
f50c-065	65	Soporte contador	Counter support
f50c-066	66	Cuerpo de la maquina	Machine's body