



Factories

Ideal for all types of products that have been previously retracted.

Suitable for all types of productions.

Recommended for synchronizing with automatic packaging and shrinking lines and linking them with weighing and automatic labeling processes.

The **TSA** is ideal for:



Cheeses



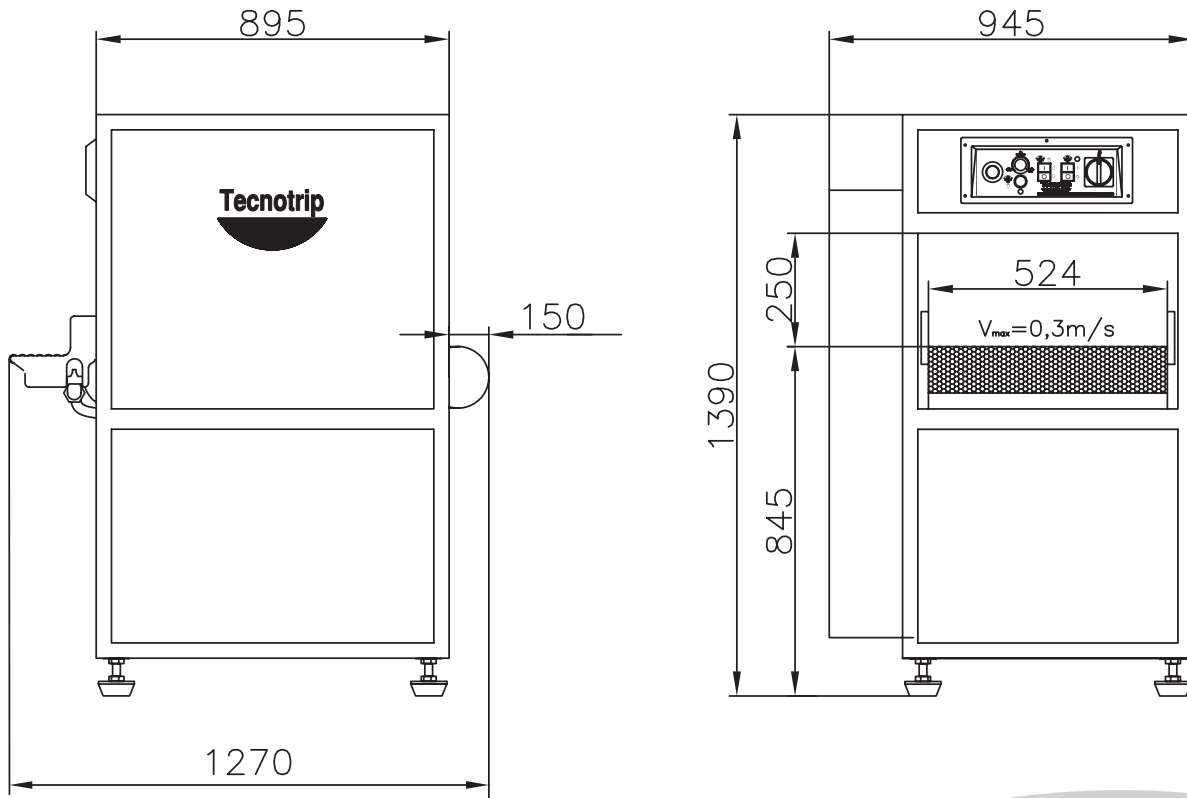
Sausages



Meats

We design, manufacture and market.

Seriousness, commitment, quality and service... loyalty to our customers.



Synchronizable with retracting models:

RET-A-4 and RET-A-4-11

Features

Easy maintenance and cleaning
Manufacture according to CE standard
Product entry and exit: automatic

Technical data

Exterior dimensions/mm: 1270x945x1390
Chamber dimensions/mm: 524x1055x250
Power/Kw: 6,5
Compressed air/bar: 6
Electrical connection: 220/380V 50/60Hz 3ph
Weight/kg: 260

Equipment

Analog programmer

Information about analog programmer

Tape speed regulator
Manual air nozzle lift adjustment
Manual or automatic work selector

**see descriptions on the web*