

Automatic Cookers/Kettles

REA - ELECTRIC or RGA - GAS

165 • 250 • 335 • 505 • 725 litres



Market Leader in the Global Food Industry



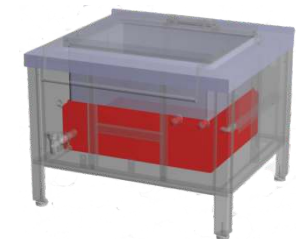
REA-250

New digital programming unit



Aditec MKA-120

Thermal oil bath



All models



Homogeneous cooking, programable and energy saving.



5 capacities to choose:



725 / 505 litres

REA-725 Electric RGA-725 Gas
REA-505 Electric RGA-505 Gas



335 litres

REA-335 Electric RGA-335 Gas



250 litres

REA-250 Electric RGA-250 Gas



165 litres

REA-165 Electric RGA-165 Gas

Advanced features:



Lid opens and closes effortlessly



Safety drain tap



Rounded corners, perfect cleaning



High quality thermal isolation



Digital time and temperature control



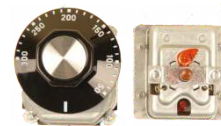
Hot and cold water inlet taps



Silicone gasket. Water inlet



All in stainless steel including the interior

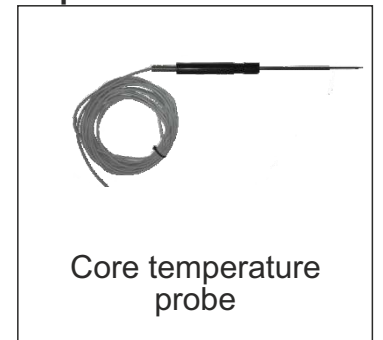


2 internal safety thermostats



Adjustable s/s feet

Options:



Core temperature probe



S/s basket

Technical specifications



ELECTRIC (models REA)										
Electric Model	Power kW	Aditec Program	Oil/Huile Chamber	External Dim WxDxH cm	A cm	Internal Dim WxDxH cm	Amp 400V	Amp 230V	Wgt Kg ±	Vol m3±
REA-165 lit	9,0	Yes/Oui	Yes/Oui	80x107x111	80	44x70x54	12 A	21 A	237	0,90
REA-250 lit	13,5	Yes/Oui	Yes/Oui	103x107x111	103	67x70x54	18 A	31 A	289	1,15
REA-335 lit	18,0	Yes/Oui	Yes/Oui	126x107x111	126	90x70x54	23 A	41 A	341	1,40
REA-505 lit	27,0	Yes/Oui	Yes/Oui	172x107x111	172	136x70x54	35 A	62 A	448	1,90
REA-725 lit	36,0	Yes/Oui	Yes/Oui	228x107x111	228	192x70x54	46 A	82 A	595	2,50

No smoke evacuation flue exhaust required. • Kamin- Rauchabzug nicht notwendig.
Pas besoin de cheminée d'évacuation de fumée. • No necesita chimenea evacuación humos.

High electric cooking power



New stainless steel heating elements 3W/cm², special for oil.



In line installation for larger cooking needs.

GAS (models RGA)										
Gas Model	Gas Power Kcal/h (kW)	Aditec Program	Oil/Huile Chamber	External Dim WxDxH cm	A cm	Smoke Fumée	Internal Dim WxDxH cm	Wgt Kg ±	Vol m3±	
RGA-165 lit	16.000=18,6	Yes/Oui	Yes/Oui	80x107x111	80	ø15	44x70x54	257	0,90	
RGA-250 lit	24.000=27,9	Yes/Oui	Yes/Oui	103x107x111	103	ø15	67x70x54	314	1,15	
RGA-335 lit	32.000=37,2	Yes/Oui	Yes/Oui	126x107x111	126	ø15	90x70x54	369	1,40	
RGA-505 lit	48.000=55,8	Yes/Oui	Yes/Oui	172x107x111	172	ø15	136x70x54	482	1,90	
RGA-725 lit	64.000=74,4	Yes/Oui	Yes/Oui	228x107x111	228	ø15	192x70x54	640	2,50	

Needs flue exhaust, gas project, installation, maintenance. • Benötigt Kamin- Rauchabzug, Projekt, Installation, Wartung.
Besoin de cheminée évacuation fumée, installation, entretien. • Requiere chimenea, proyecto, instalación, mantenimiento.

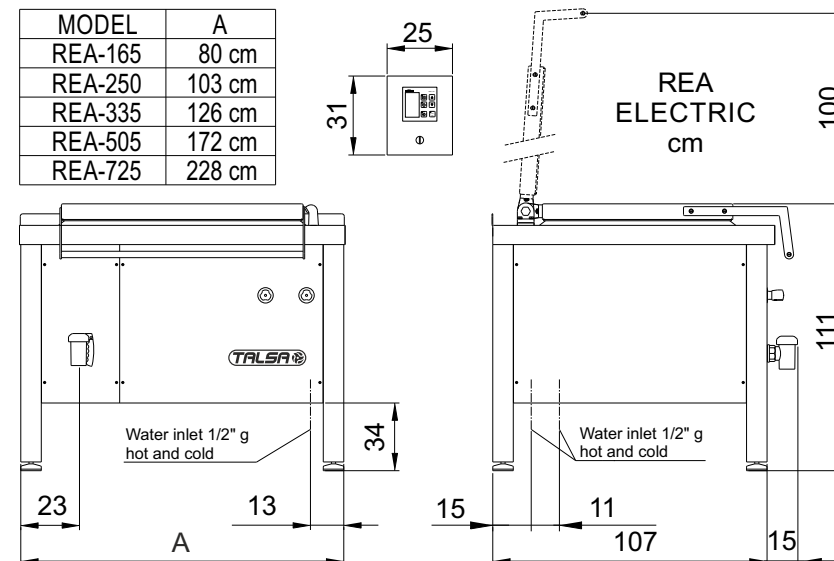


Automatic



Advanced multi-spark automatic ignition; complete gas stop, no pilot light.

MODEL	A
REA-165	80 cm
REA-250	103 cm
REA-335	126 cm
REA-505	172 cm
REA-725	228 cm



MODEL	A
RGA-165	80 cm
RGA-250	103 cm
RGA-335	126 cm
RGA-505	172 cm
RGA-725	228 cm

