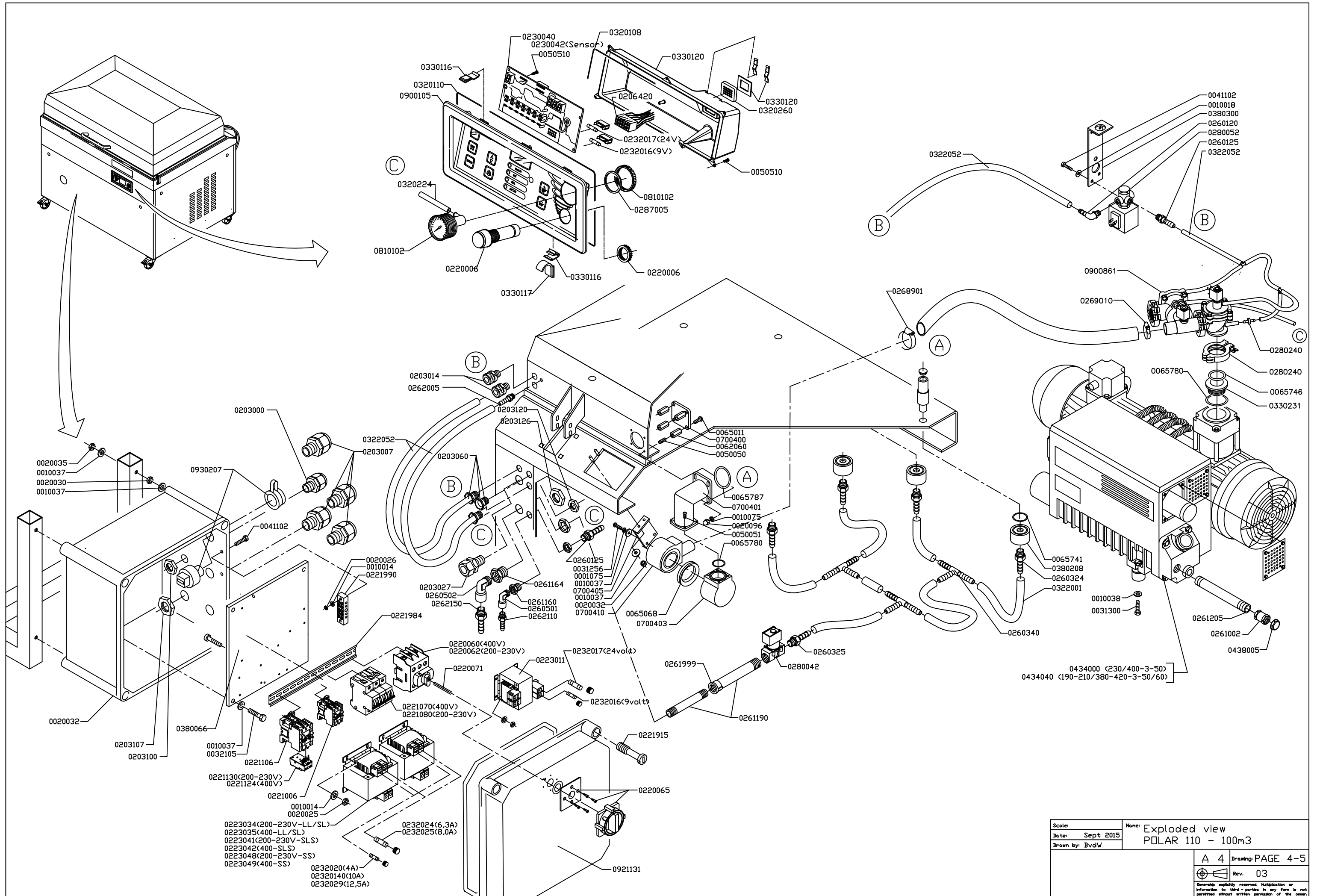
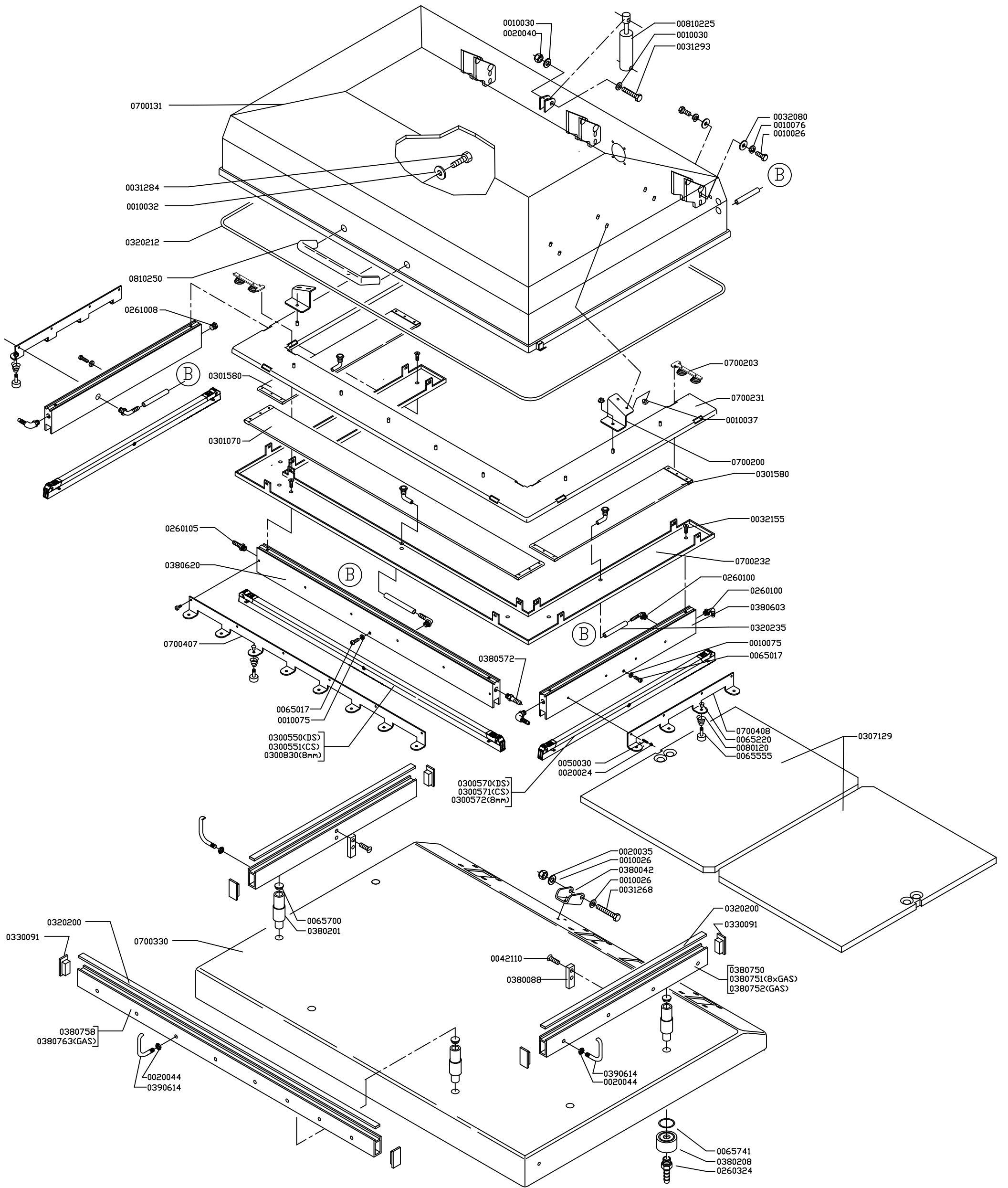


Scale:	Name:	Exploded View POLAR 110 F-B
Date: Jan 2015	Drawn by: BvdW	
A 4		Drawings: PAGE 3-5
Rev. 02		
<small>Ownership explicitly reserved. Multiplication or information to third parties in any form is not permitted without written permission of the owner.</small>		



- 0020035
- 0010037
- 0020030
- 0010037
- 0020032
- 0203107
- 0203100
- 0010037
- 0032105
- 0221106
- 0221130(200-230V)
- 0221124(400V)
- 0221006
- 0010014
- 0020025
- 0223034(200-230V-LL/SL)
- 0223035(400-LL/SL)
- 0223041(200-230V-SLS)
- 0223042(400-SLS)
- 0223048(200-230V-SS)
- 0223049(400-SS)
- 0232020(4A)
- 02320140(10A)
- 0232029(12,5A)
- 0221984
- 0221070(400V)
- 0221080(200-230V)
- 0220071
- 0223011
- 0232017(24volt)
- 0232016(9volt)
- 0221915
- 0220065
- 0921131
- 0220026
- 0010014
- 0221990
- 0203027
- 0260502
- 0262150
- 0261164
- 0261160
- 0260501
- 0262110
- 0031256
- 0001075
- 0010037
- 0700405
- 0010037
- 0020032
- 0700410
- 0065068
- 0700403
- 0065787
- 0700401
- 0010075
- 0020096
- 0050051
- 0065780
- 0260125
- 0031256
- 0001075
- 0010037
- 0700405
- 0010037
- 0020032
- 0700410
- 0065068
- 0700403
- 0065787
- 0700401
- 0010075
- 0020096
- 0050051
- 0065780
- 0260125
- 0031256
- 0001075
- 0010037
- 0700405
- 0010037
- 0020032
- 0700410
- 0065068
- 0700403
- 0065787
- 0700401
- 0010075
- 0020096
- 0050051
- 0065780

Scale:	Name:	Exploded view	
Date:	Sept 2015	POLAR 110 - 100m3	
Drawn by:	BvdW	A 4	Drawing PAGE 4-5
		Rev.	03
<small>Copyright explicitly reserved. Reproduction or information to third parties in any form is not permitted without written permission of the owner.</small>			



(CS) = CUT-OFF SEAL
 (DS) = DOUBLE SEAL
 (8mm) = 8mm SEAL

Scale:	Name:	Exploded View POLAR 110 L-F-R
Date: Jan 2015		
Drawn by: BvdW		
		A 4 Drawing: PAGE 5-5
		Rev. 02
<small>Ownership explicitly reserved. Multiplication or information to third parties in any form is not permitted without written permission of the owner.</small>		