

Vertical grill mod **GV3**

**Dimension:**

33,6" (l) x 49,4" (p) x 60,7" (a)

**Number of grates: 3**

**Capacity/chickens: 9**

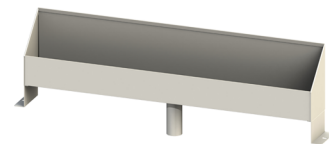
**Weight: 385 lb**

**Rated power: 10,4 kw**

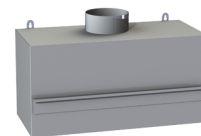
Rated Voltage	Rated current		
208V/3N~	33A (L1)	33A (L2)	22A (L3)



GRE.V1.E40  
Scraper



GRE.CA.A50  
Gutter

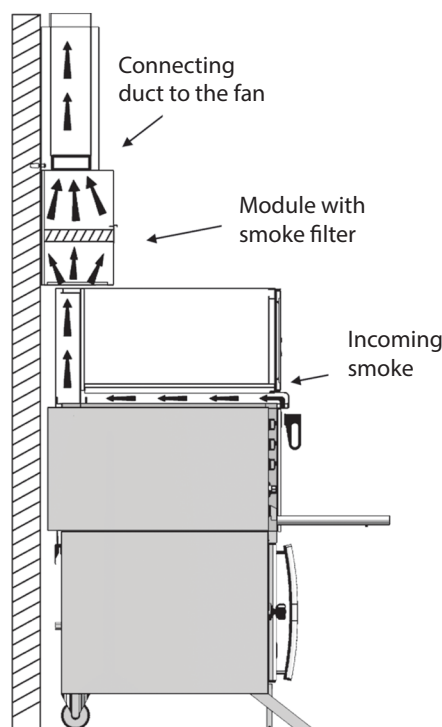


GRE.V3.P10  
Module with filter



GRE.V2.P30  
Conduct

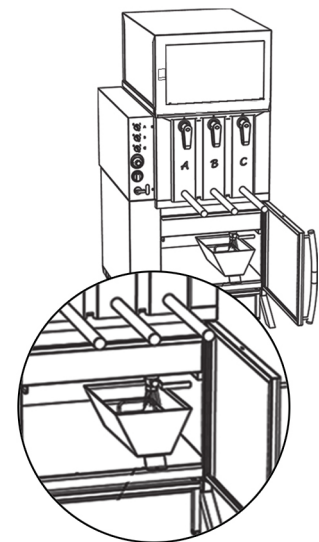
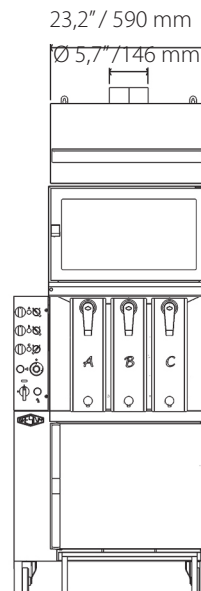
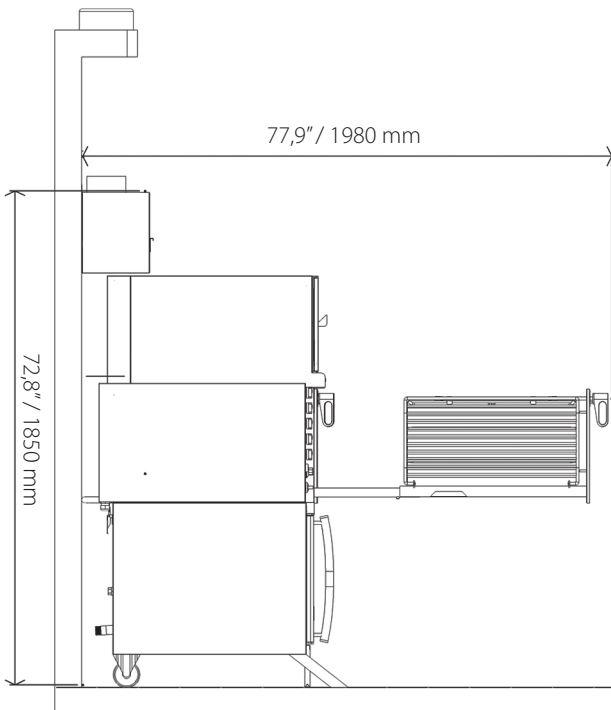
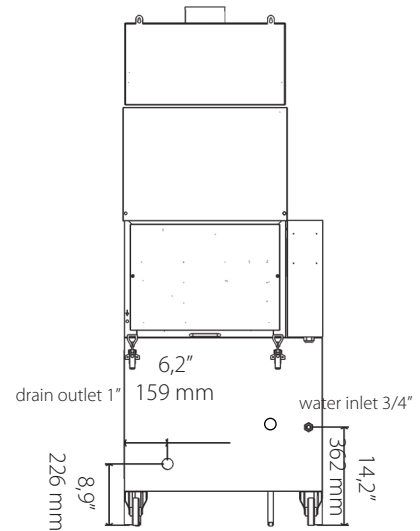
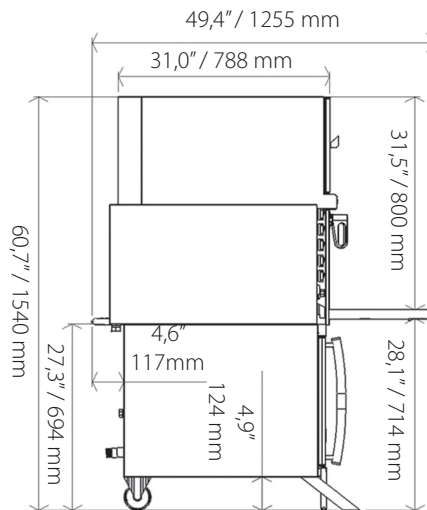
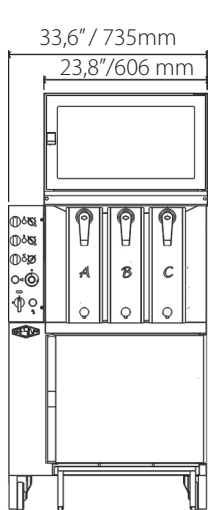
Grid	interior measurement
GRE.V1.J40 Grid XS	0,31" / 8mm
GRE.V1.J10 Grid S	0,75" / 19mm
GRE.V1.J30 Grid XL	1,22" / 31mm



Note: with connection device to the water inlet and the outlet to the grease box



Vertical grill mod **GV3**



A composite drainage system by a water collection container of the receiver drawer to be connected to the grease box