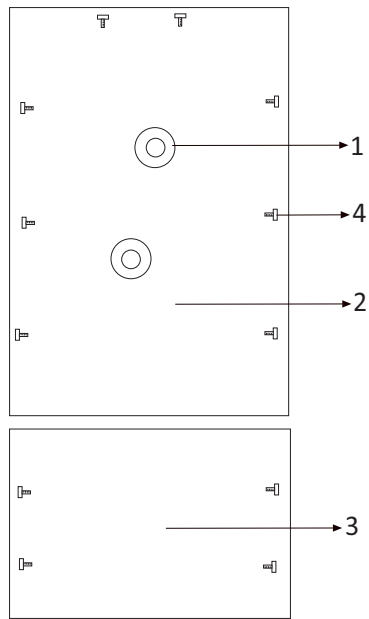
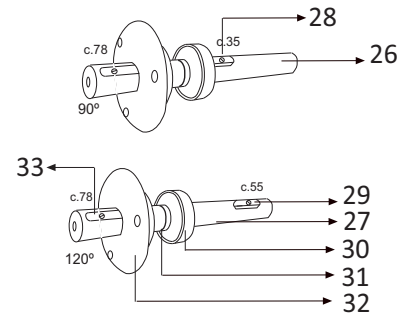
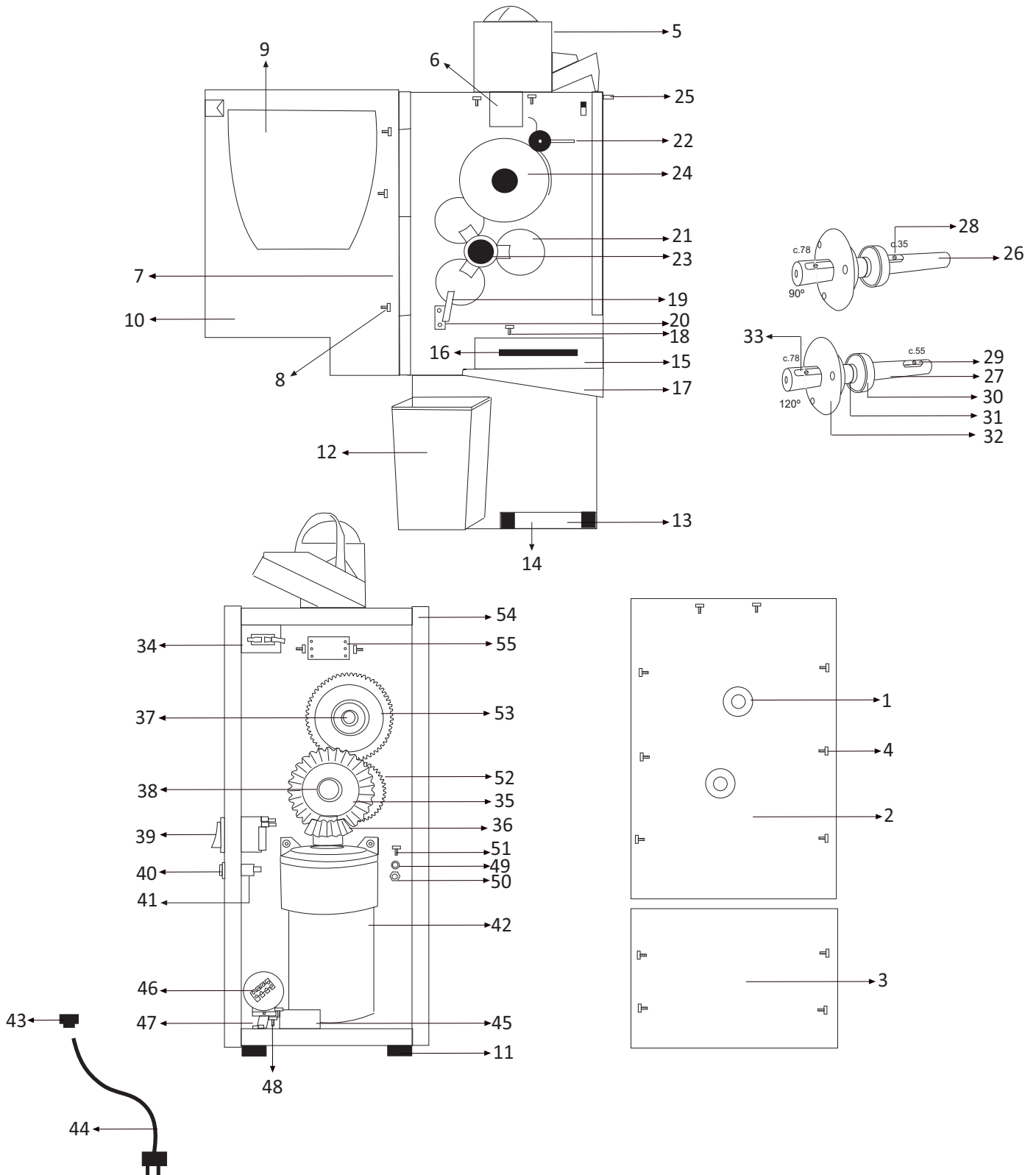


Despiece - Diagram



Ref.	Nº	Repuesto	Spare Part
fcompact-001	1	Casquillo negro	Black spacer
fcompact-002	2	Tapa trasera superior	Top case back
fcompact-003	3	Tapa trasera inferior	Under case back
fcompact-004	4	Tornillo M5*10	Screw M5*10
fcompact-005	5	Rampa	Ramp
fcompact-006	6	Pletina alimentadora	Feeder tray
fcompact-007	7	Visagra	Hinge
fcompact-008	8	Tornillo M4*10	Screw M4*10
fcompact-009	9	Cristal puerta	Door glass
fcompact-010	10	Carcasa frontal	Front cover
fcompact-011	11	Pata	Leg
fcompact-012	12	Cubo de plástico	Plastic cube
fcompact-012i		Cubo inox	Inox cube
fcompact-013	13	Bandeja posavasos	Tray for glasses
fcompact-014	14	Rejilla posavasos	Grating for glasses
fcompact-015	15	Filtro	Filter
fcompact-016	16	Tirador del filtro	Filter shooter
fcompact-017	17	Embudo de filtración	Filter funnel
fcompact-018	18	Pitón M4	Bottom M4
fcompact-019	19	Quitacáscaras	Peel extractor
fcompact-020	20	Soporte quitacáscaras	Support extractor
fcompact-021	21	Bola	Squeezer ball
fcompact-022	22	Cuchilla	Cutting blade
fcompact-023	23	Tornillo amarillo	Yellow screw
fcompact-024	24	Hueco	Hollow item
fcompact-025	25	Soporte carcasa	Support front cover
fcompact-026	26	Eje exprimidor 1	Squeezer shaft 1
fcompact-027	27	Eje exprimidor 2	Squeezer shaft 2
fcompact-028	28	Chaveta 35'	Peg 35'
fcompact-029	29	Chaveta 55'	Peg 55'
fcompact-030	30	Cojinete	Bearing of squeezer shaft
fcompact-031	31	Goma tórica	O-ring seal
fcompact-032	32	Casquillo amarillo	Yellow spacer
fcompact-033	33	Chaveta 78'	Peg 78'
fcompact-034	34	Interruptor de seguridad	Security switch
fcompact-035	35	Engranaje cónico 29	Conical gear 29
fcompact-036	36	Engranaje cónico 14	Conical gear 14
fcompact-037	37	Separador largo	Separator large
fcompact-038	38	Separador corto	Separator short
fcompact-039	39	Interruptor	Switch
fcompact-040	40	Portafusible	Fuse holder

Ref.	Nº	Repuesto	Spare Part
fcompact-041	41	Fusible	Fuse
fcompact-042	42	Motor	Motor
fcompact-043	43	Cubierta cable de red	Network cable cover
fcompact-044	44	Cable de red	Network cable
fcompact-045	45	Condensador motor	Motor capacitor
fcompact-046	46	Caja de conexiones	Junction box
fcompact-047	47	Soporte caja de conexiones	Support junction box
fcompact-048	48	Tornillo M5*10	Screw M5*10
fcompact-049	49	Arandela M8	Washer M8
fcompact-050	50	Tuerca M8	Nut M8
fcompact-051	51	Tornillo M8*25	Screw M8*25
fcompact-052	52	Engranaje dentador 45-2	Tooth gearing 45-2
fcompact-053	53	Engranaje dentado 60-1	Tooth gearing 60-1
fcompact-054	54	Cuerpo máquina	Machine's body
fcompact-055	55	Soporte pletina alimentadora	Support feeder tray