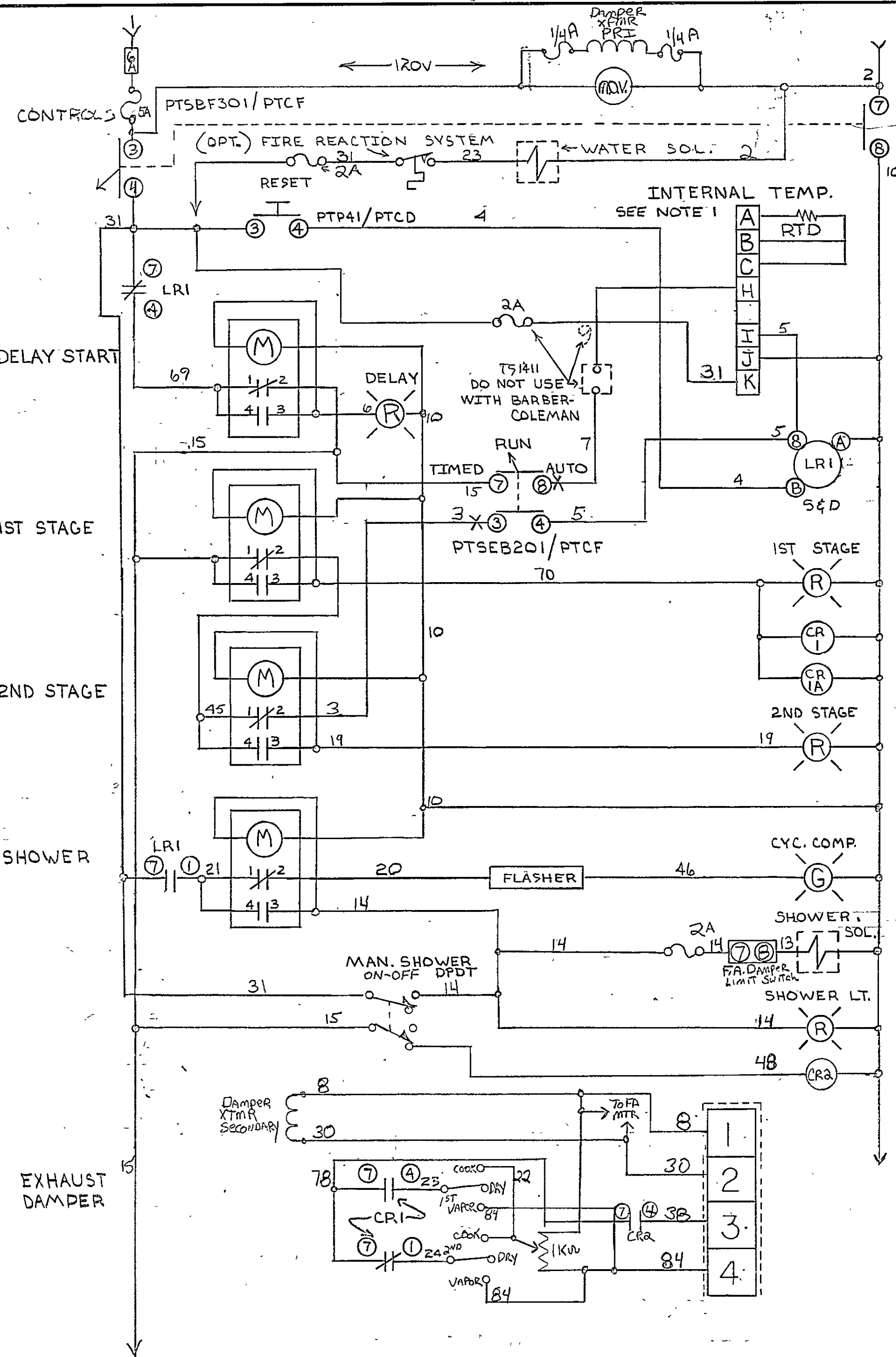


DATE	SYM	REVISION RECORD	DR.	CK
		03:00:01		
		4/18/89	AK	

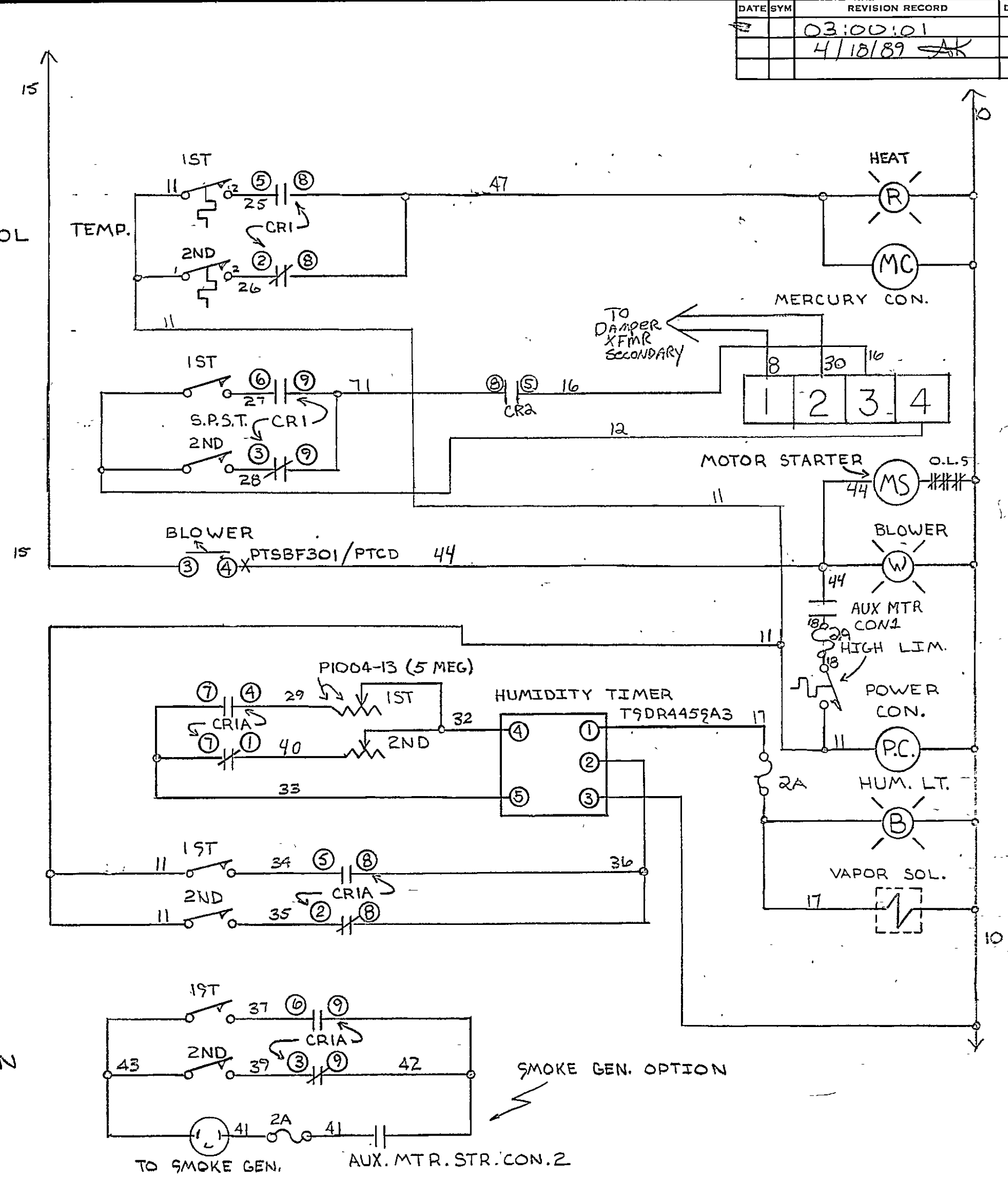


HEAT CONTROL

FRESH AIR DAMPER

HUMIDITY

SMOKE GEN OPTION



THIS PANEL HAS MULTIPLE POWER SOURCES. BEFORE SERVICING, DISCONNECT:  
 1. HEATERS & FAH MOTOR POWER SOURCE  
 2. 120 V CONTROLS, POWER SOURCE  
 3. SMOKE GENERATOR CONTROL CORD (IF SMOKEHOUSE CONTROLS SMOKE GEN)

- Customer must provide disconnect for 120 volt, 2 amp control circuit, and must provide disconnect and short circuit protection for \_\_\_\_\_ volt, \_\_\_\_\_ amp heater and motor power circuit.
- All items in dashed boxes are external to panel.
- All field wiring is #14GA min. All control wire is #18GA, unless noted.
- Power is still present inside panel with controls "off".
- This panel conforms to UL specifications under the General Use, Enclosed, Industrial Control Panel category.

PROBE	SETPOINT	120V	FUNCTION									
A	B	C	D	E	F	G	H	I	J	K	REFERENCE	
2	3	-	A	B	C	5	4	5	8	7	BARBER COLMAN	
1	2	3	3	4	5	8	7	9	L2	L1	HONEYWELL CHART RECORDER	
1	2	3	9	11	12	14	16	15	L2	L1	DIAL-A-PAK	
9	8	7	-	-	-	-	5	6	2	3	PARTLOW INDICATING	
1	2	-	-	-	-	-	4	5	3	7	LOVE	
10	9	8	-	-	-	-	5	7	6	2	1	UE-DE54P62

NOTE #1

TOLERANCES (EXCEPT AS NOTED)	<b>Wortron INCORPORATED</b> P.O. BOX 1017 • BELLEVILLE, WISCONSIN 53511 2820 GRAYBILL DRIVE • (608) 362-0882	
DECIMAL	USE PANEL #011 FOR CHART	SCALE
FRACTIONAL	USE PANEL #005 FOR BC	DRAWN BY APPROVED BY
ANGULAR	DATE 1-19-89	DRAWING NUMBER CS1206

Page 1 of 2