

Line 9

Horizontal Grill mod GHPI **2/700**

Dimensions:

19,7" (w) x 35,4" (p) x 33,7" (h)

Weight: 293 lb

Electric Data:

Amp - 0,5
Voltage - 120V

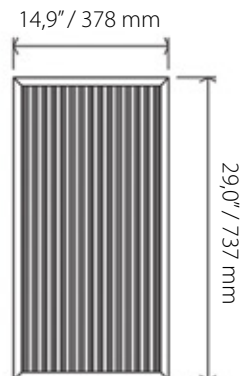
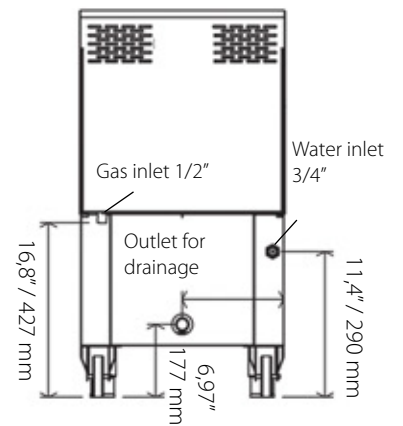
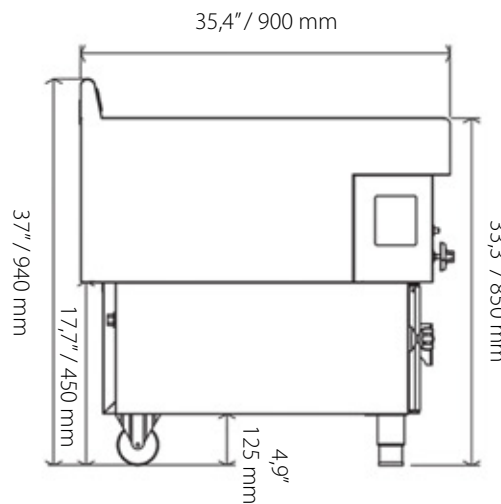
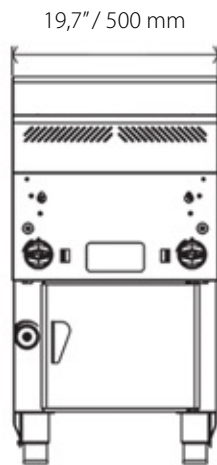
Propane gas

Pressure - 9,8 in wc
Consumption - 66.000 BTU/hr

Natural gas

Pressure - 4,5 in wc
Consumption - 66.000 BTU/hr

Built in available



Note: with connection device to the water inlet and the outlet to the grease box

